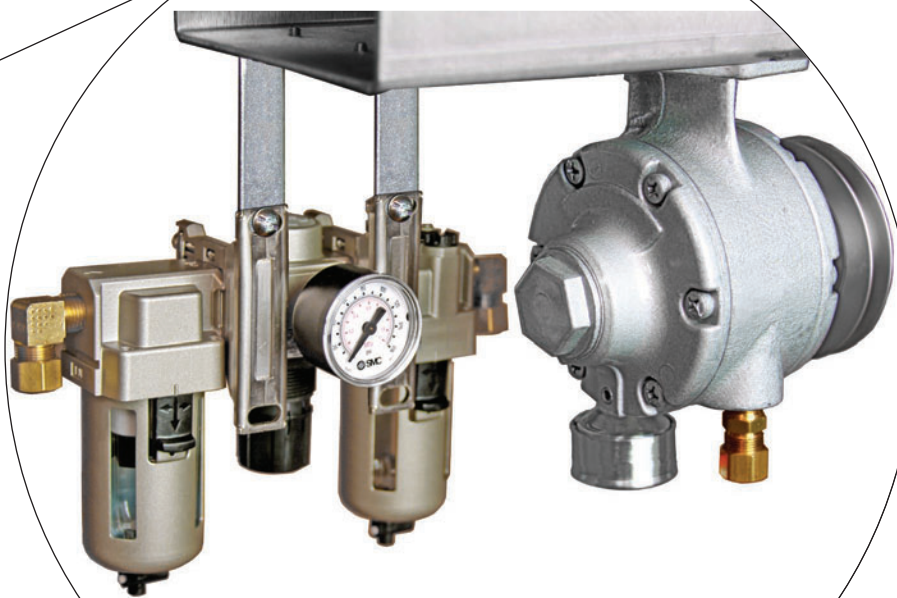
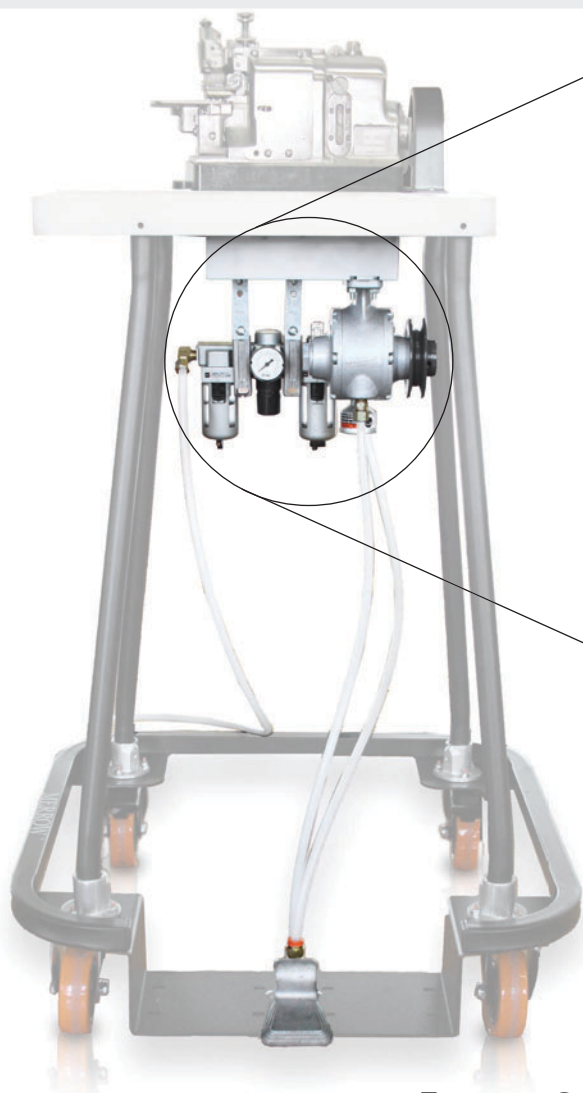


# MERROW®

SEWING MACHINE COMPANY



## MERROW INDUSTRIAL AIR MOTOR

MOTOR TYPE :	4-Vane Rotary
OUTPUT:	1.7 hp
TORQUE :	36 lbs/in
MAX. SPEED :	4000 rpm
MAX. AIR CONSUMPTION:	78 cfm
DIMENSIONS:	12"l x 7"w x 10.5"h
WEIGHT:	13 lbs



SUITABLE  
FOR WET  
ENVIRONMENTS

TABLE AND SEWING MACHINE  
NOT INCLUDED

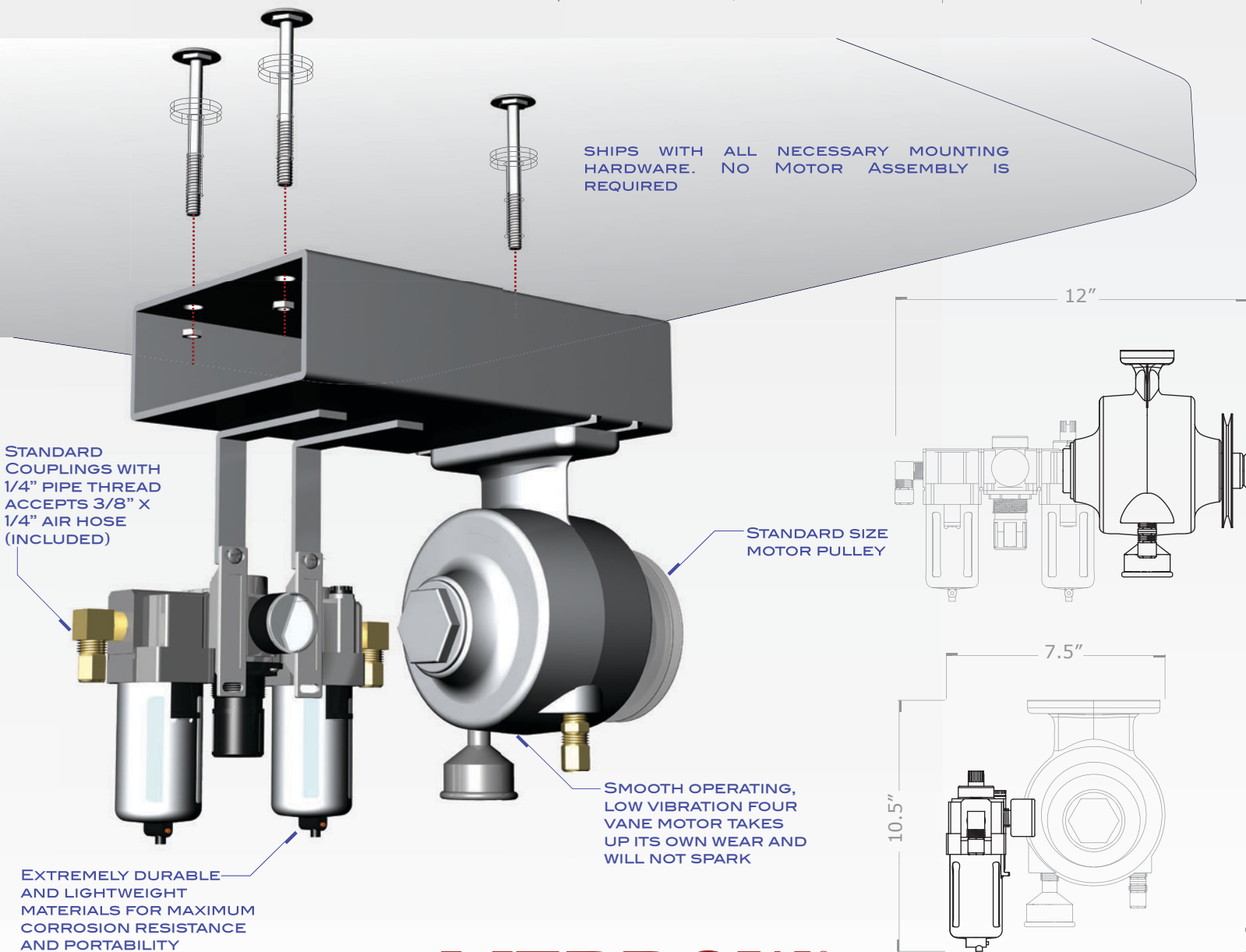
## INDUSTRIAL AIR MOTOR FOR WET PROCESSING & FINISHING

- SAFE FOR WET PROCESSES •
- QUIET •
- HALF THE WEIGHT OF STANDARD CLUTCH AND SERVO MOTORS •
- STANDARD UNDER TABLE MOUNT •

# MERROW

# INDUSTRIAL AIR MOTOR

	Industrial Application	Standard Under Table mount	Treadle Operated, Adjustable Speed	Safe for Wet Environments & Applications	Safe for Dusty, Or Fiber Laden Environments	Self Cooling
MERROW INDUSTRIAL AIR MOTOR	■	■	■	■	■	■
STANDARD ELECTRIC MOTOR	■	■	■			



**MERROW**<sup>®</sup>  
SEWING MACHINE COMPANY

502 BEDFORD STREET  
FALL RIVER, MA 02720 USA  
1001 800.431.6677  
WWW.MERROW.COM