

51-1607

Dandux® Easy Access Poly Truck



crdaniels.com
sales@crdaniels.com
410-461-2100



The perfect truck for mailrooms, libraries, election centers, warehouses & pick and pack operations. Also a great recycling truck when used without the web doors.

Originally developed in conjunction with the USPS as a alternative for their 1046 canvas basket, the DANDUX® 51-1607 one piece seamless molded poly truck with elastic web door sides provides ergonomic access to the interior of the truck without the need for excessive bending or an internal lift.

The optional elastic topped side web doors deflect when leaned on, yet provide lateral restraint to interior contents. The heavy duty webbing can be detached at the top so that the side web doors can be lowered partially or fully for unrestricted access. Attachment / detachment is accomplished by means of a unique loop and molded slot — no hardware to snag / no tools needed.

Double wall upper and single wall lower portions add to the body strength, overall economics and performance of the unit. The 1607 comes standard with a structural powder coated tube base and choice of casters size and pattern.

When not in use units can be positively nested and stacked for space saving storage.

Available in your choice of colors. Red / Blue / Yellow / Gray / Green / Black & Regrind. Custom Colors also available

Options :

- Towable Base upgrade,
- Replacement Side Nets,
- Replacement base and casters

SIZE	External Dimensions			Internal		Weight
	L	W	OAH	Depth	lbs	
bushel	48	32	40*	30	90	

* OAH and Weight with 5" casters



Brochure is for general information purposes only. Specifications subject to change without notice. No fitness for intended use is implied. All dimensions are nominal and shown full inch for simplicity. Please confirm any critical dimensions before ordering. fob Ellicott City Md 21043.

All item subject to availability and prior sale. Offer may be withdrawn at any time.

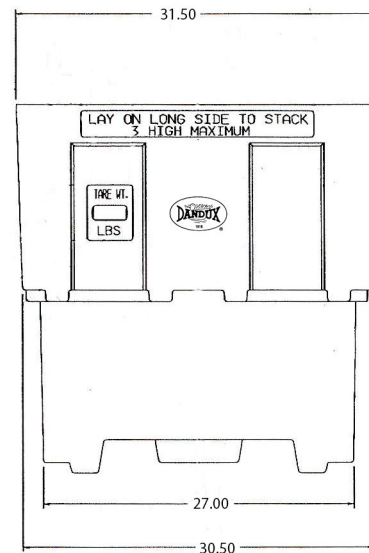
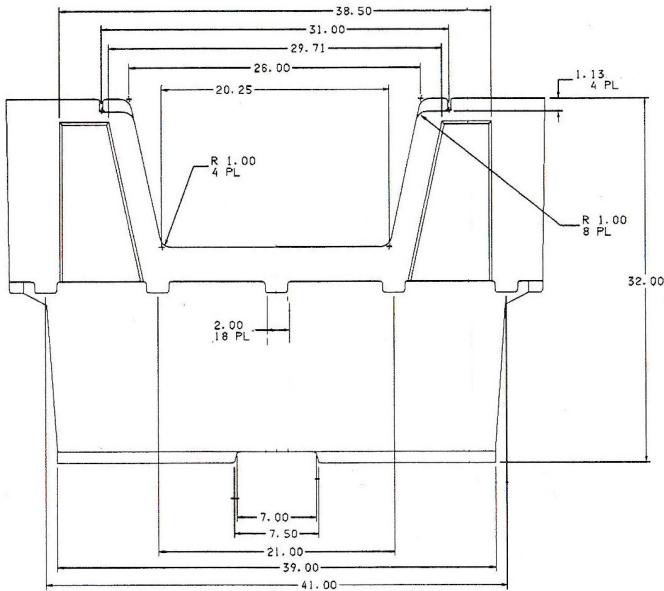
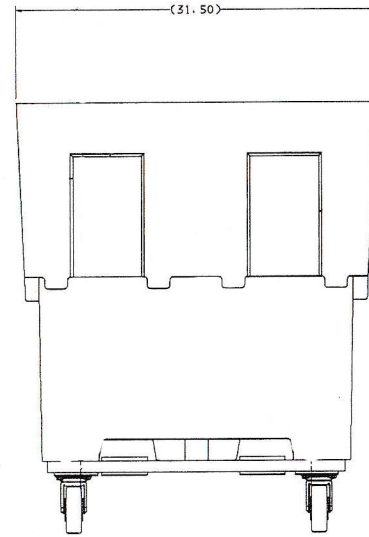
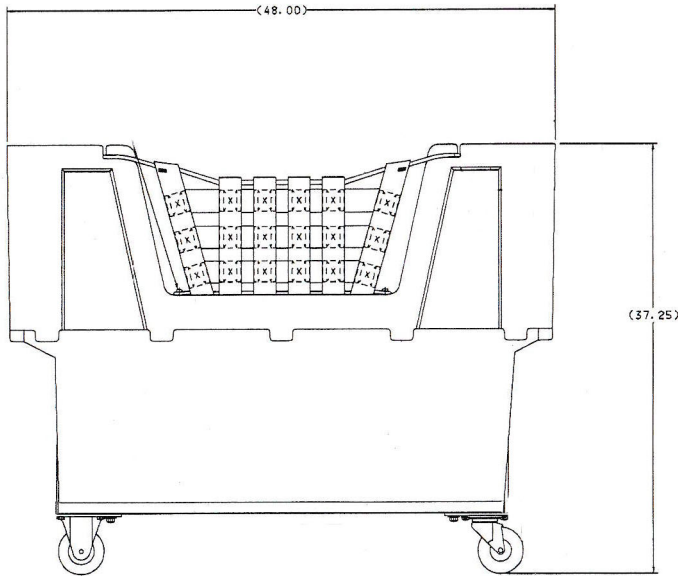


51-1607

Dandux[®] Easy Access Poly Truck



crdaniels.com
sales@crdaniels.com
410-461-2100



Brochure is for general information purposes only. Specifications subject to change without notice. No fitness for intended use is implied. All dimensions are nominal and shown full inch for simplicity. Please confirm any critical dimensions before ordering. fob Ellicott City Md 21043. All item subject to availability and prior sale. Offer may be withdrawn at any time.

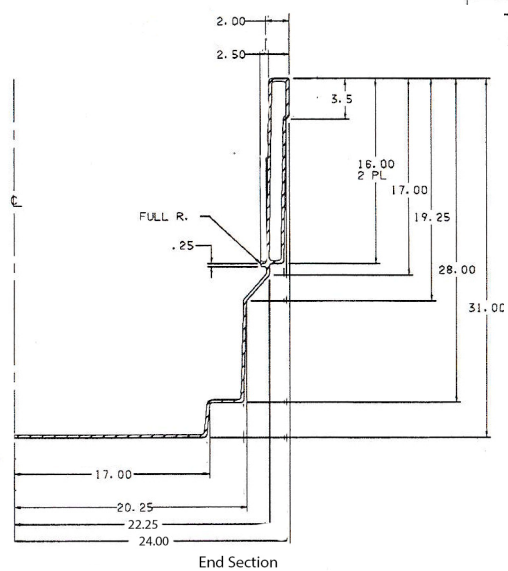
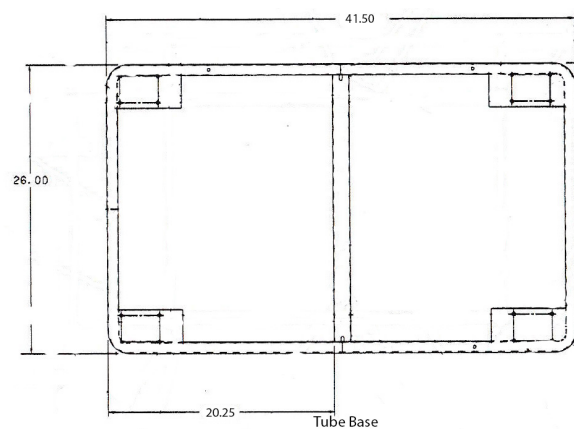
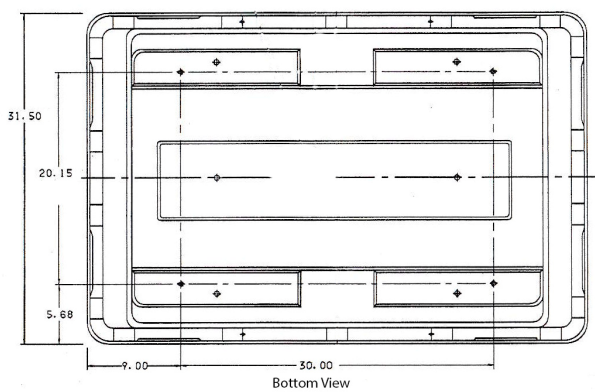
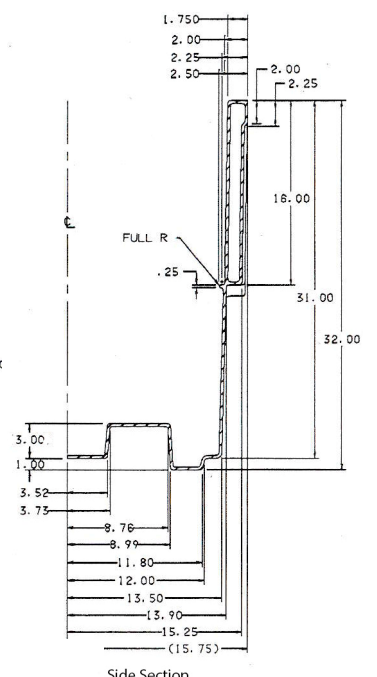
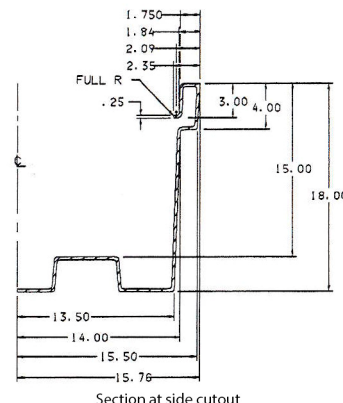
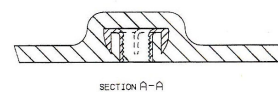
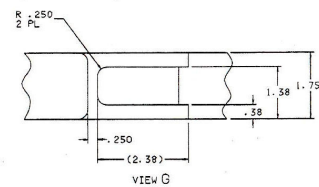
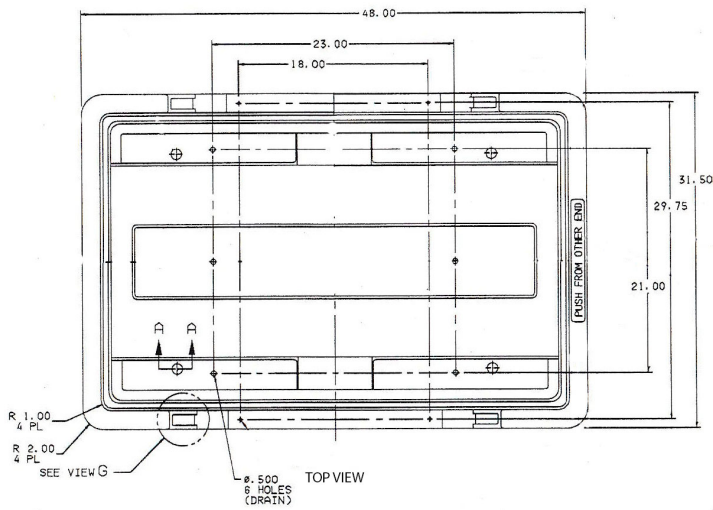


51-1607

Dandux[®] Easy Access Poly Truck



crdaniels.com
sales@crdaniels.com
410-461-2100



Brochure is for general information purposes only. Specifications subject to change without notice. No fitness for intended use is implied. All dimensions are nominal and shown full inch for simplicity. Please confirm any critical dimensions before ordering. fob Ellicott City Md 21043. All item subject to availability and prior sale. Offer may be withdrawn at any time.

