

JTR-DLN9010/WSU

Waistband Shadow Stitch Sewing Unit



TIMESAIVING			
TIME MANUEL METHOD	TIME AUTOMATED METHOD	TIMESAIVING PERCENT	
32_{SEC}	12_{SEC}	63%	
ADDITIONAL BENEFITS			
HIGH EFFICIENCY	STANDARD QUALITY	CONSISTENCY	SPEED
✓	✓	✓	✓



Highlights

- Special design, height adjustable table system
- Automatic thread trimmer and wiper
- Automatic presser foot lifter
- Speed setting feature on electronic panel
- Excellent stitch quality thanks to the needle transport and puller system
- High efficiency, superior performance
- Maximum energy saving
- Vibration free and silent working environment
- Closed circuit automatic micro oiling system
- Micrometric foot pressure setting feature
- Spot free operation possibility
- Presser foot fast/slow drop feature (with parameter)

TECHNICAL SPECIFICATION

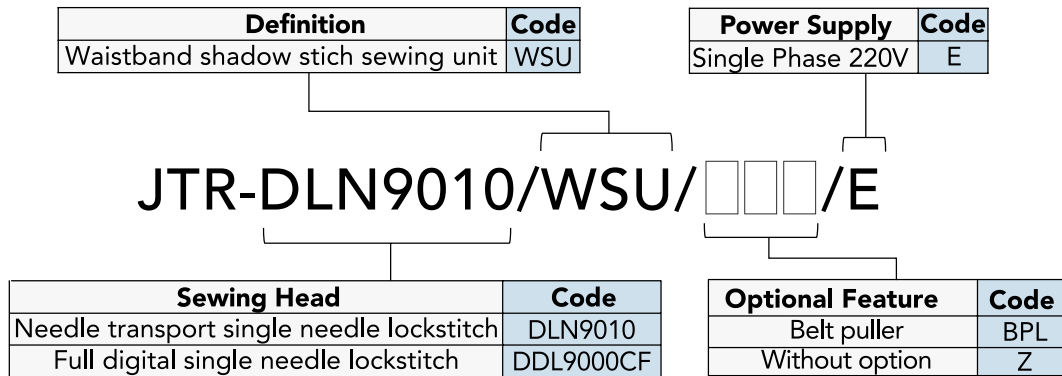
Machine Head (Standard)	DLN9010A-SH
Motor	IPM Motor
Max. Sewing Speed	4.000 rpm
Capacity	2.000 - 2.500 pcs / 9 hours
Bobbin Counter / Trim Counter	Available
Min. - Max. Stitch Length	1.5 mm - 4 mm
Needle Type	GB / DPX5 #17
Power Requirement / Power Consumption	Single-phase 220V - 240V 50 Hz / 310VA
Compressed Air / Air Consumption	6 Bar / 2 L/min.

JTR-DLN9010/WSU

Waistband Shadow Stitch Sewing Unit

WHEN YOU PLACE ORDERS

Please note when placing orders, that the model name should be written as follows.



SHIPMENT DETAILS	
Machine net weight	110 kg
Machine gross weight (Including palette and package)	150 kg
Machine net dimensions:	
Width	60 cm
Length	110 cm
Height	125 cm
Package dimensions:	
Width	75 cm
Length	125 cm
Height	145 cm
HS code	8452.29.00.00.19



JUKI
JUKI CORPORATION
 SEWING MACHINERY & SYSTEMS BUSINESS UNIT

2-11-1, TSURUMAKI, TAMA-SHI,
 TOKYO 206-8551, JAPAN
 PHONE: (81) 42-357-2370
 FAX: (81) 42-357-2274
<https://www.juki.co.jp/en>

* Specifications and appearance are subject to change without prior notice for improvement.
 * Read the instruction manual before putting the machine into service to ensure safety.
 * This catalogue prints with environment-friendly soyink on recycle paper.
 * Paper from responsible sources FSC™ C001712