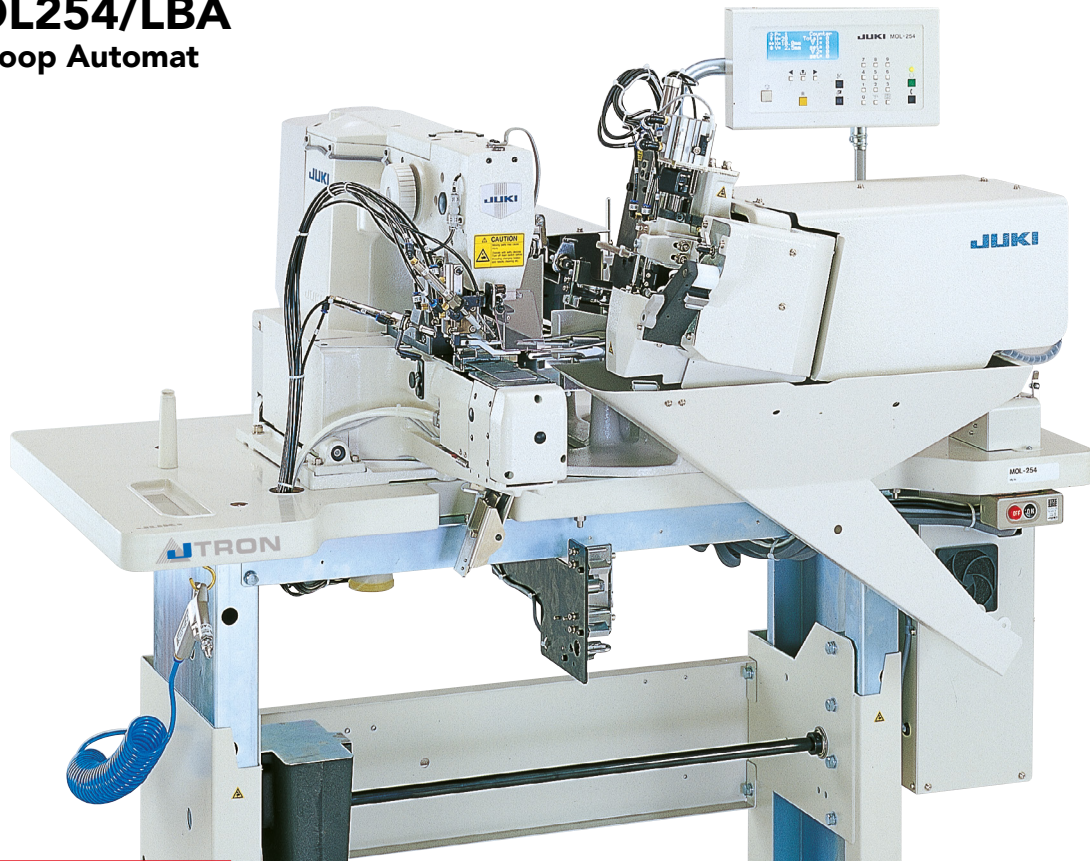


# JTR-MOL254/LBA

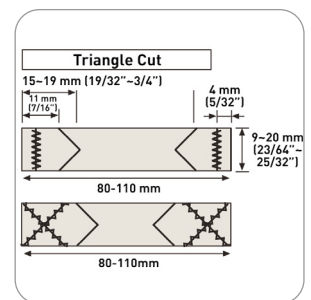
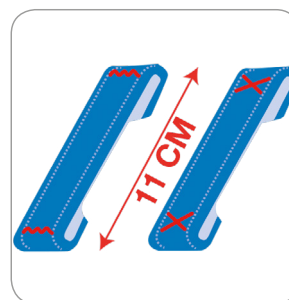
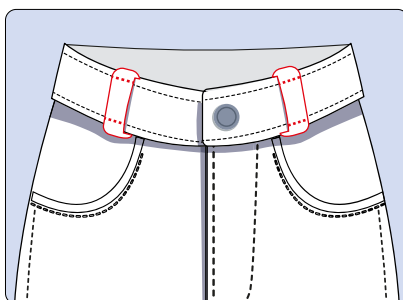
## Long Belt Loop Automat



TIMESAVING			
TIME MANUAL METHOD	TIME AUTOMATED METHOD	TIMESAVING PERCENT	
<b>48 SEC</b>	<b>10 SEC</b> <small>*5 loops in a row.</small>	<b>80 %</b>	
ADDITIONAL BENEFITS			
HIGH PRODUCTIVITY ✓	STANDARD QUALITY ✓	EASY OPERATION ✓	SPEED ✓

### Highlights

- Adjustable extra long beltloop sizes 80 mm - 110 mm
- 28, 36, 42 or custom made number of stitch
- X, straight, triangle or other shaped bartacking patterns are available
- JUKI's patented loop joint detection system
- Large hook (Optional)



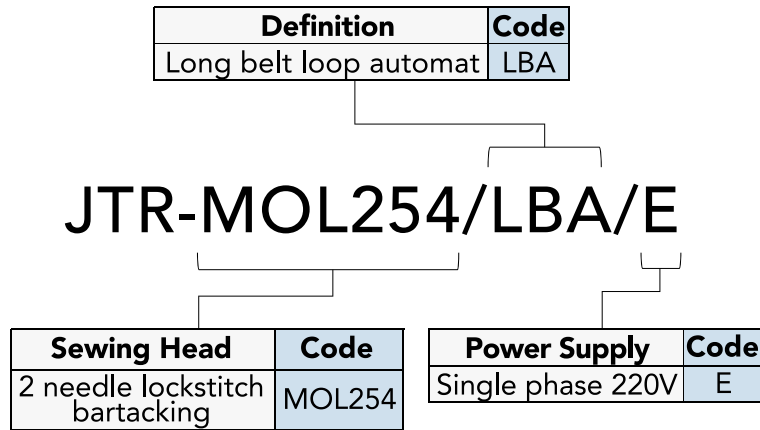
TECHNICAL SPECIFICATION	
Machine Head (Standard)	MOL254
Motor	Direct Drive
Max. Sewing Speed	2.500 rpm
Capacity	2.250 - 2.500 jeans or uniforms / 9 hours
Daily Piece Counter	Available
Min. - Max. Belt Loop Length	80 mm - 110 mm
Min. - Max. Belt Loop Width	9 mm - 25 mm
Needle Type	GB / DPX17 - #19-21
Number of Stitches	28 - 36 - 42 and custom made number of stitch
Power Requirement / Power Consumption	Single-phase 220 - 240V / 350VA
Compressed Air / Air Consumption	6 Bar - 32 L / min.

# JTR-MOL254/LBA

## Long Belt Loop Automat

### WHEN YOU PLACE ORDERS

Please note when placing orders, that the model name should be written as follows.



SHIPMENT DETAILS	
Machine net weight	230 kg
Machine gross weight (Including palette and package)	279 kg
Machine net dimensions:	
Width	80 cm
Length	120 cm
Height	135 cm
Package dimensions:	
Width	128 cm
Length	96 cm
Height	144 cm
HS code	8452.29.00.00.19



**JUKI**  
**JUKI CORPORATION**  
 SEWING MACHINERY & SYSTEMS BUSINESS UNIT

2-11-1, TSURUMAKI, TAMA-SHI,  
 TOKYO 206-8551, JAPAN  
 PHONE: (81) 42-357-2370  
 FAX: (81) 42-357-2274  
<https://www.juki.co.jp/en>

\* Specifications and appearance are subject to change without prior notice for improvement.  
 \* Read the instruction manual before putting the machine into service to ensure safety.  
 \* This catalogue prints with environment-friendly soyink on recycle paper.  
 \* Paper from responsible sources FSC™ C001712