

# JTR-AMS-XL/DSA Series

## Long Arm Decorative Stitch Sewing Automat



TIMESAIVING			
TIME MANUEL METHOD	TIME AUTOMATED METHOD	TIMESAIVING PERCENT	
<b>1200</b> SEC	<b>36</b> SEC	<b>97</b> %	
ADDITIONAL BENEFITS			
HIGH EFFICIENCY	STANDARD QUALITY	CONSISTENCY	SPEED
✓	✓	✓	✓

### Highlights

- Operator-friendly, free programmable LCD touchscreen program panel
- Decorative sewing / ornamental stitch on tubular leg sections of the finished jeans
- Excellent seam quality thanks to separate driven X-Y step motor system
- Active tension system
- Durable robust design
- Optional 300 mm x 200 mm sewing area
- 400 mm extended cylinder arm length for versatile production
- Ø80 mm diameter of the cylinder arm
- 999 program capacity

### TECHNICAL SPECIFICATION

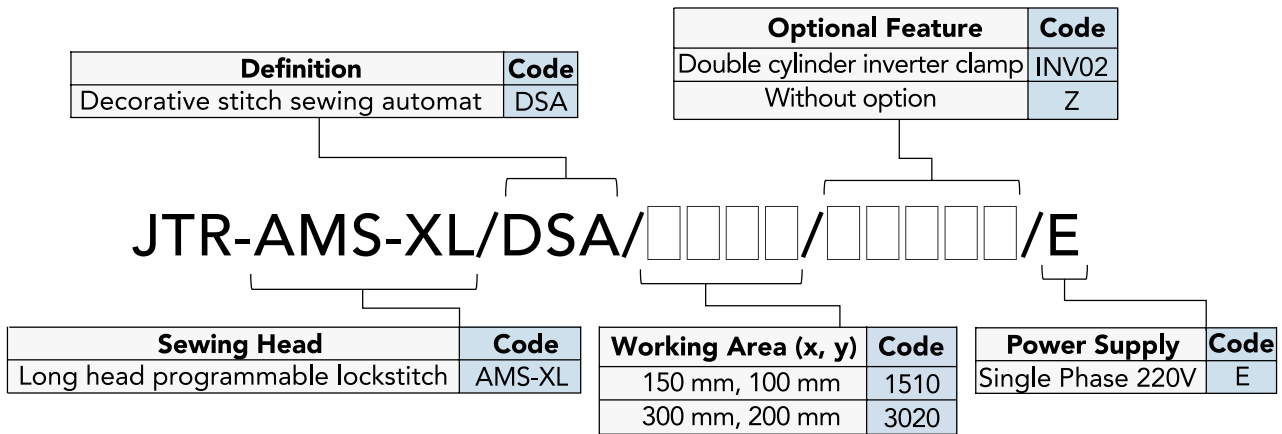
Machine Head (Standard)	AMS-210ENHL / AMS-221ENHL
Motor	Juki Servo Motor 550W
Max. Sewing Speed	2.800 rpm
Capacity	900 - 1.000 pairs / 9 hours
Daily Piece Counter	Available
Thread Breakage Detection	Available
Min - Max. Stitch Length	0.1 mm - 12.7 mm
Needle Type	GB / DPX17 #18
Power Requirement / Power Consumption	Single-phase 220V - 240V / 450VA
Compressed Air / Air Consumption	5.5 bar / 1.8 L /min.

# JTR-AMS-XL/DSA Series

## Long Arm Decorative Stitch Sewing Automat

### WHEN YOU PLACE ORDERS

Please note when placing orders, that the model name should be written as follows.



SHIPMENT DETAILS	
Machine net weight	164 kg
Machine gross weight (Including palette and package)	230 kg
Machine net dimensions:	
Width	115 cm
Length	120 cm
Height	120 cm
Package dimensions:	
Width	130 cm
Length	130 cm
Height	140 cm
HS code	8452.29.00.00.19



**JUKI**  
**JUKI CORPORATION**  
 SEWING MACHINERY & SYSTEMS BUSINESS UNIT

2-11-1, TSURUMAKI, TAMA-SHI,  
 TOKYO 206-8551, JAPAN  
 PHONE: (81) 42-357-2370  
 FAX: (81) 42-357-2274  
<https://www.juki.co.jp/en>

\* Specifications and appearance are subject to change without prior notice for improvement.  
 \* Read the instruction manual before putting the machine into service to ensure safety.  
 \* This catalogue prints with environment-friendly soyink on recycle paper.  
 \* Paper from responsible sources FSC™ C001712