

FL1500

Data sheet

Preliminary
data

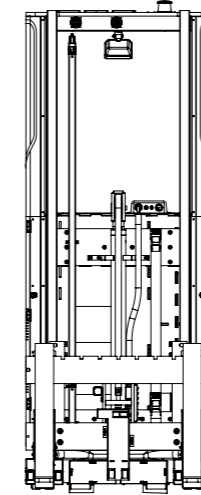


AGV FORKLIFT

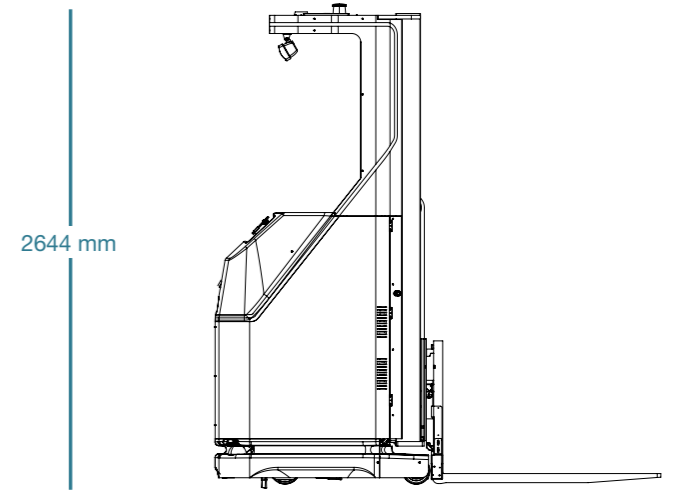
FL1500



Preliminary data



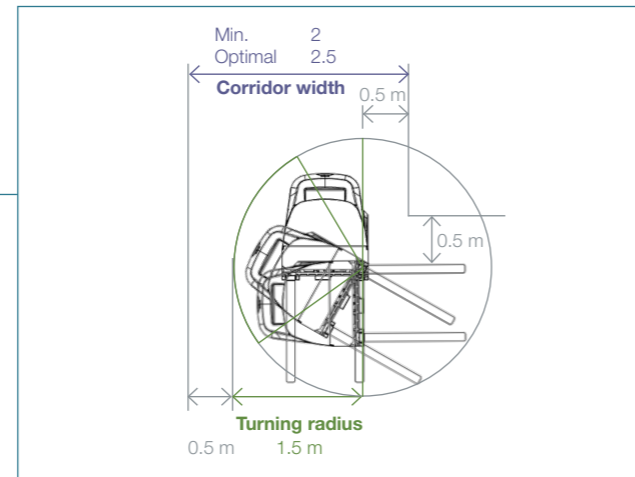
1000 mm



2644 mm

Performance

	Standard	Option	
Payload	500 kg	1 000 kg	1 500 kg
Drive type	Tricycle		
Turning radius	1.5 m		
Ground clearance	30 mm		
Max. speed	Up to 1.2 m/s		
Position accuracy	Up to ± 10 mm	Up to ± 5 mm	
Navigation	Natural feature navigation (Laser) or virtual line	Hybrid navigation: +2D code camera (floor)	
Dead weight	2 100 kg	2 650 kg	3 250 kg

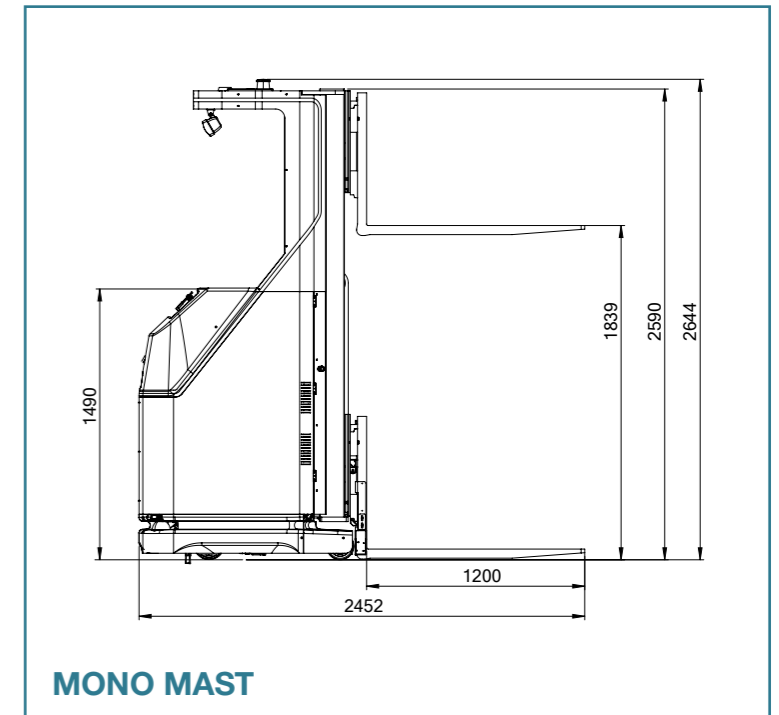
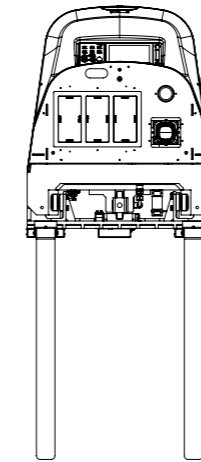


Safety

	Standard	Option
Human safety	Laser scanner	
Emergency stop button	x3 on the FL1500 x1 on the remote control	
Visual safety	LED strip	Floor spot
Collision avoidance		✓
Pallet detection		✓

Communication / Software

	Standard	Option
Key panel	✓	
10" touch display		✓
Wireless communication	Wifi	5G



MONO MAST

Energy

	Standard	Option	
Battery technology	Li-ion 48V		
Inductive charging	Sidewise	Floor	Top
	Standard	Option	
	Battery	Battery +	Battery ++
Block number	1 (Pouch)	2 (Pouch)	3 (Pouch)
Capacity	105 Ah	210 Ah	315 Ah
Life time (full charge cycle)	7 000	7 000	7 000

Installation environment

Working temperature	+5°C to 40°C (DIN EN ISO 3691-4)
Humidity	< 80% non condensing
Protection class	IP54
Compliance	CE
Slope	Up to 3%
Floor conditions	Can withstand floor irregularity
Indoor	✓



● Stäubli Units ○ Representatives/Agents

Global presence of the Stäubli Group

www.staubli.com

sales.sulzbach@staubli.com

