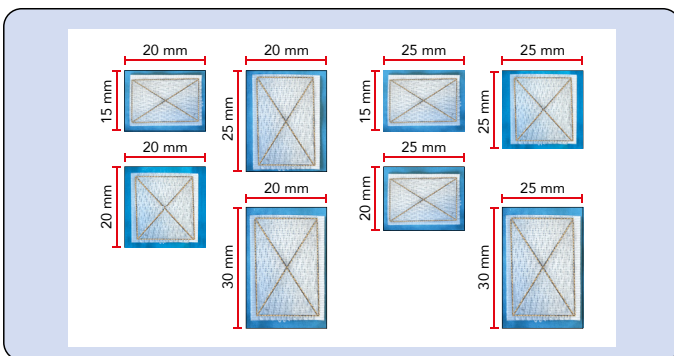


JTR-LK1900BN/VFU

Velcro Feeding Sewing Unit



TIMESAVING			
TIME MANUEL METHOD	TIME AUTOMATED METHOD	TIMESAVING PERCENT	
15SEC	5SEC	67%	
ADDITIONAL BENEFITS			
HIGH EFFICIENCY	STANDARD QUALITY	CONSISTENCY	SPEED
✓	✓	✓	✓



Highlights

- Automatic velcro cutting and feeding system
- Adjustable velcro length via touchscreen
- Different velcro width options
- Adjustable design patterns (Square or envelop)
- Automatic thread trimming and thread wiper
- Big rotary hook (Optional)

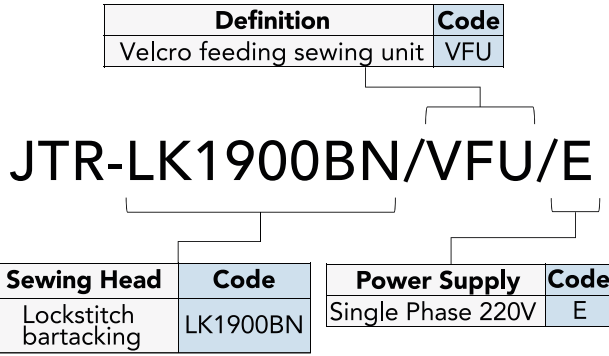
TECHNICAL SPECIFICATION	
Machine Head (Standard)	LK 1900 BN Series
Motor	Direct Drive
Max. Sewing Speed	2.500 rpm
Capacity	6.000 - 7.000 pcs / 9 hours
Daily Piece Counter	Available
Min. - Max. Stitch Length	2 mm - 3.5 mm
Needle Type	GB / DPX17 #18
Min. - Max. Velcro Width	15~25 mm
Min. - Max. Velcro Length	15~30 mm
Power Requirement / Power Consumption	Single-phase 220V-240V / 880VA
Compressed Air / Air Consumption	6 Bar / 1L/min.

JTR-LK1900BN/VFU

Velcro Feeding Sewing Unit

WHEN YOU PLACE ORDERS

Please note when placing orders, that the model name should be written as follows.



SHIPMENT DETAILS	
Machine net weight	89 kg
Machine gross weight (Including palette and package)	130 kg
Machine net dimensions:	
Width	70 cm
Length	105 cm
Height	148 cm
Package dimensions:	
Width	80 cm
Length	120 cm
Height	145 cm
HS code	8452.29.00.00.19



JUKI
JUKI CORPORATION
 SEWING MACHINERY & SYSTEMS BUSINESS UNIT

2-11-1, TSURUMAKI, TAMA-SHI,
 TOKYO 206-8551, JAPAN
 PHONE: (81) 42-357-2370
 FAX: (81) 42-357-2274
<https://www.juki.co.jp/en>

* Specifications and appearance are subject to change without prior notice for improvement.
 * Read the instruction manual before putting the machine into service to ensure safety.
 * This catalogue prints with environment-friendly soyink on recycle paper.
 * Paper from responsible sources FSC™ C001712

