

JTR-DDL9000B/PFA

Pocket Facing Automat



TIMESAVING			
TIME MANUEL METHOD	TIME AUTOMATED METHOD	TIMESAVING PERCENT	
15 ^{SEC}	8 ^{SEC}	47%	
ADDITIONAL BENEFITS			
HIGH EFFICIENCY	STANDARD QUALITY	CONSISTENCY	SPEED
✓	✓	✓	✓

Highlights

- Touchscreen LCD display
- 30 program memory easy to use program panel
- Step motor controlled belt transport system
- Clean folding attachment
- Photocell control stitch at the beginning and at the end
- Upper thread photocell control
- Pneumatic controlled pocket facing stacker
- Rail system for pocket bag and pocket facing
- Laser marker system

TECHNICAL SPECIFICATION

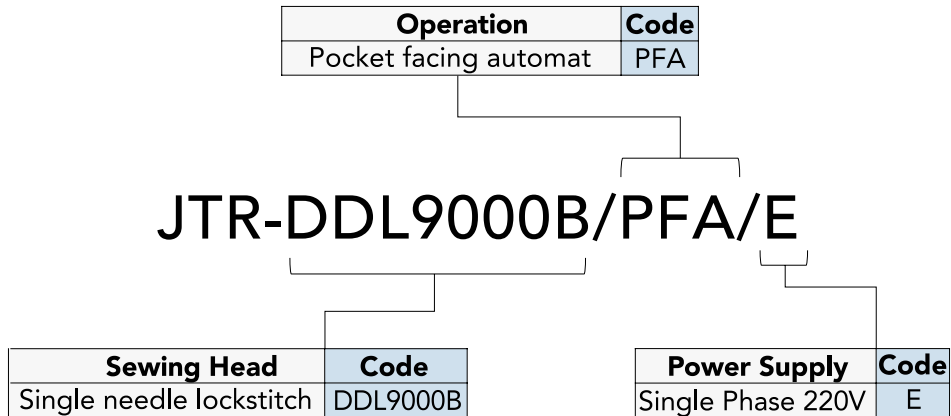
Machine Head (Standard)	DDL-9000B
Motor	Juki Servo Motor IPW550
Max. Sewing Speed	4.000 rpm
Capacity	4.300 pcs / 9 hours
Daily Piece Counter	Available
Thread Breakage Detection	Available
Max. Facing Length	340 mm
Seam Allowance	1 mm - 5 mm
Min - Max. Stitch Length	2 mm - 4.5 mm
Needle Type	GB / DPX5 #12
Power Requirement / Power Consumption	Single-phase 220V - 240V 50Hz / 660VA
Compressed Air / Air Consumption	6 Bar - 5 L/min.

JTR-DDL9000B/PFA

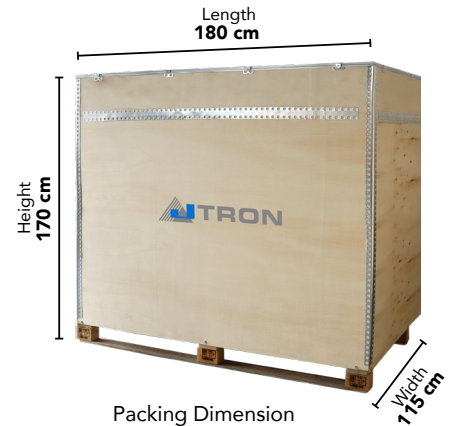
Pocket Facing Automat

WHEN YOU PLACE ORDERS

Please note when placing orders, that the model name should be written as follows.



SHIPMENT DETAILS	
Machine net weight	185 kg
Machine gross weight (Including palette and package)	260 kg
Machine net dimensions:	
Width	100 cm
Length	165 cm
Height	150 cm
Package dimensions:	
Width	115 cm
Length	180 cm
Height	170 cm
HS code	8452.21.00.00.00



JUKI
JUKI CORPORATION
 SEWING MACHINERY & SYSTEMS BUSINESS UNIT

2-11-1, TSURUMAKI, TAMA-SHI,
 TOKYO 206-8551, JAPAN
 PHONE: (81) 42-357-2370
 FAX: (81) 42-357-2274
<https://www.juki.co.jp/en>

* Specifications and appearance are subject to change without prior notice for improvement.
 * Read the instruction manual before putting the machine into service to ensure safety.
 * This catalogue prints with environment-friendly soyink on recycle paper.
 * Paper from responsible sources FSC™ C001712